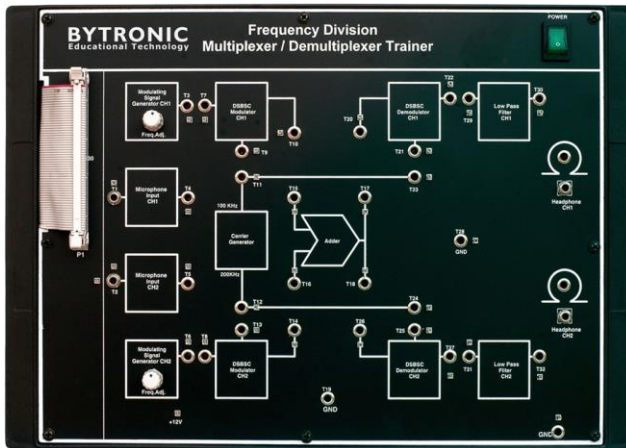


7511 - Frequency Division Multiplexer/Demultiplexer Trainer



Key Features:

- Two variable modulating (sinusoidal) input channels with provision of voice inputs
- Two DSBSC modulators for frequency band translation of two test signals
- Two Carrier Generators
- Two Sets of Audio input Amplifier
- One adder/transmission Amplifier
- Two Demodulators
- Two low pass filters for smooth output

The 7511 Frequency Division Multiplexer/Demultiplexer trainer is part of an analogue communication range which provides all the necessary inputs, test points and connections for experimentation. The 7511 demonstrates FDM techniques by transmitting a single communication line through two different modulated inputs.

Experiments

- Study of Frequency Division Multiplexing / De-multiplexing with sinusoidal input.
- Study of Frequency Division Multiplexing/De-multiplexing with audio input
- Study of Fourier Spectrum of FDM.
- Study of DSBSC modulation/Demodulation

Specification

Crystal Frequency	4.096MHz
Carrier Generator	Sine Wave 100KHz and 200KHz
Modulating Frequency	Sine Wave 200Hz – 10KHz
Audio Input Amplifier	Gain of 100 approx.
Modulator/Demodulator	DSBSC Modulator/Demodulator
Low Pass Filters	Second order butterworth filters with a cut off frequency of 10KHz
Audio Output Amplifier	Output Amplifier with a gain of 20
Test Points	30
Power	220V/110V, 50Hz/60Hz
Weight	3.5Kg
Dimensions	W326, D252, H52

Ordering Information

Model Number:	7511
Consists of:	Frequency Division Multiplexer/Demultiplexer Trainer Set of patch cables

Notes.

1. *Specification is subject to change without notice.*

2. *All dimensions are in mm unless otherwise stated*

Bytronic Ltd., reserves the right to make product improvements at any time and without notice and is not responsible for typographical errors. Bytronic Ltd., recognise all product names used herein as trademarks or registered trademarks of their respective holders.

Bytronic Limited

124 Anglesey Court, Towers Business Park,
Rugeley, Staffordshire, WS15 1UL.
United Kingdom

Tel: +44 (0)3456 123 155 Fax: +44 (0)3456 123 156
Email: sales@bytronic.net Website: www.bytronic.net